

# ATLANTA Koi CLUB



# KOI CHRONICLES



June 2008  
Volume 20, Issue 6

Dedicated to Sharing the Joy of Keeping Koi

### Inside this issue:

Calendar Koi Show Up-date	2
Planning the Filter System	3-4
Ponditat for Humanity — building a pond for hospital	5
2007 a Golden Year for Goldfish	6
AKC Koi Show Poster	7
Minutes of the May Meeting	8
Membership	9
Meeting Directions	10

## By the Pond



David Boyd, President AKC

The Atlanta Koi Club would like to thank Vicki Vaughn and Carl Forss for inviting us to have our May meeting at their home. For all the people who did not attend the meeting, Vicki, in an offhanded way, mentioned that she and Carl were married! This casual comment ended months of speculation by some people. Last December I was lucky to learn that they had gotten married in November, but for personal reasons were keeping it a secret.

The big event at the meeting was when we walked to the breeder ponds and pulled out some beautiful koi. Carl, Vicki Knill, Herve Rijnveld and Gary Elmore worked inside the pond seining...with help from other members outside the fence —as they hauled the koi out. In all there were 13 beauties. We had a great turnout of members as well as guests, and it was great to meet a few new people. One new person joined at the meeting.

Another of the topics brought up was the upcoming pond rebuild at the Scottish Rite Hospital. Gloria Jones was at the meeting and gave us details on what we would be doing, the main number of volunteers that would be needed will be on July 11<sup>th</sup> and 12<sup>th</sup>. We are looking for people who are willing to get their hands dirty planting and help with moving stone around. We also need people to work behind the scenes getting meals ready and running any errands that need to be done. If anyone wants to volunteer to help with this worthwhile project, please contact Bill Fricke at [bpfricke@yahoo.com](mailto:bpfricke@yahoo.com).

Also one last note that I will be bringing up until August, please start thinking of who you would like to see as your new officers in our upcoming elections in October.



The Roemers drove from North Carolina to see the fish! Welcome to AKC!



To our newest sponsor: Flat Rock Koi!

*Atlanta Koi Chronicles* is a monthly publication of the **Atlanta Koi Club**. Material is selected for its interest to Koi and Pond enthusiasts. **AKC Koi Chronicles** accepts no responsibility for the accuracy of the contents. Reproduction is permitted provided that this newsletter and/or the original source are credited. Articles may be submitted to the editor.



3831 Flat Rock Road  
Watkinsville GA 30677  
706-769-8951  
706-769-5305 (fax)

[www.flatrockkoi.com](http://www.flatrockkoi.com)  
carl@flatrockkoi.com or vicki@flatrockkoi.com

**Atlanta Koi Club  
Officers  
2008**



**AKC CALENDAR  
2008**

Have you seen the new  
pages on our Web-site?

2

Our KHA's are adding all kinds of  
great koi keeping info articles for ref-  
erence on our site.

[www.atlantakoiclub.org/](http://www.atlantakoiclub.org/)  
[KHAinformation](#)

I encourage all members to attend our  
monthly meetings. The currently  
planned meetings and events are:

**June 8:** Summer Social, Harvey Siskin  
Members bring covered dishes to  
share.

**July 13:** Terri Foruta & Kathy Rifkin

**August 10:** Hal & Susan Brown

**September 14:** David Boyd/ David  
Pugh\_Koi Show Planning and Set-up @  
Coastal Ponds (Koi Show: September  
19-21 2008)

**October 12:** Ev Garrin — Election of  
Officers

**November 9:** Winter social, Mike  
Roach and Adam Therrell



**President**

David Boyd  
(770) 937-0864  
dvbmarietta@aol.com

**Vice President**

Michael Anderson  
(678) 297-7926  
mcasan@comcast.net

**Secretary**

Peggy Fricke  
(770) 300-9438  
bpfricke@yahoo.com

**Treasurer**

Steve Castel  
(770) 924-8092  
scastel@mindspring.com

**Property Manager**

Hervé Rijnveld  
(770)-532-2464  
vriend@aol.com

**Appointed Officers**

**Membership**

Susan Brown  
(770) 973-2092  
Hands191@yahoo.com

**Koi Show**

David Pugh  
(770) 937-0864  
doubledavid@aol.com

**Koi Auction**

Steve Castel  
(770) 924-8092  
scastel@mindspring.com

**Pond Tour**

Held in odd number years

**P.R. Director**

Harvey Siskin  
(404) 688-3766  
siskinh@bellsouth.net

**Newsletter Editor**

Toni Anderson  
(678) 297-7926  
xanxan@comcast.net

**AKCA Director**

Michael Anderson  
(678) -297-7926  
mcasan@comcast.net

**Web Master**

Mike Hutson  
(770) 979-3497  
Mike.hutson@turner.com

**Atlanta Koi and Goldfish Show – 2008**

**David Pugh**

The committee tasked with planning and conducting this year's Koi and Gold fish show has been hard at work. This year we are faced with some special challenges and opportunities. The Charlotte Show was cancelled this year. Hopefully we can fill some of the void this leaves. As always, the success of the show depends on volunteers. For all that hard work we promise our heartfelt gratitude, a chance to learn more than you ever wanted to know about how a koi show operates, and of course the Volunteer T-shirt.

In the past we have had two colors of shirts – one for volunteers and one for sale to the show attendees. This year we are trying a new tact. If you sign up before the August meeting you will get your choice of two colors and two styles of shirts. Bill Fricke will be collecting names at the June Social and also the July meeting. When you sign up at either of these meetings, you will be asked for your t-shirt color, style and size preference. You will be certain to get a shirt that will fit.

Other plans are well underway. We have selected two host hotels – one is pet friendly. We have the banquet site and will employ the same caterer as last year except that the bar will be hosted by the Elks Club. We have most of the trophies ordered or in hand. We are planning to repeat the Vendor Appreciation event on Friday evening, September 19. We have several trophy sponsorships already, but need more. If you are interested in being a sponsor see David Pugh or Toni Anderson.

The Exhibitor Packet and the Vendor Packet will be on the club website this month.

If you have any ideas or suggestions for the show please email them to us at  
[koishow@atlantakoiclub.org](mailto:koishow@atlantakoiclub.org)

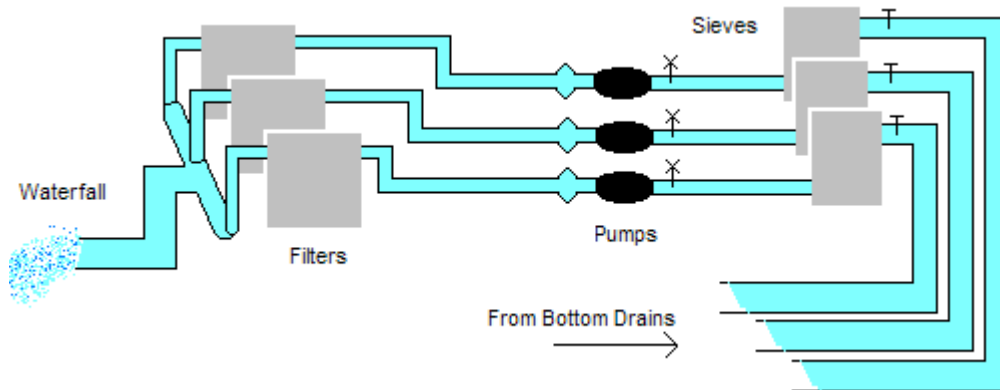
# Planning the Filtration System

One of the most important aspects of a koi pond is of course the filtration system. Typically one or more filter pits are built to house the equipment and all plumbing is routed in a clean and logical path. Bearing in mind that everything *might* eventually fail, your planning should allow for the easy removal/repair of valves, pumps, and so forth, in addition to the flexibility of choosing how the water should flow.

In more complex applications it pays to draw schematics to help visualize your system's requirements. Each version of the layout will build upon the previous one and you will find that your design improves with each redraw.

In my particular project I am using gravity to move water from 3 bottom drains to 3 pre-filters called Cetus sieves. Most of the larger pond debris is removed at this stage. Pre-filtered water is then pumped from the sieves to the bio filtration tubs, and then gravity flows to the waterfall.

The basic concept can be illustrated as follows:



(Continued on page 4)



(l to r) Gaye Jones and Vicki Knill show some of their trophies from the Greater Louisville Show! Congratulations, Ladies.

(below) Club members gather at Flat Rock Koi for the May meeting. Carl Forss is explaining how to choose "fish for the future".

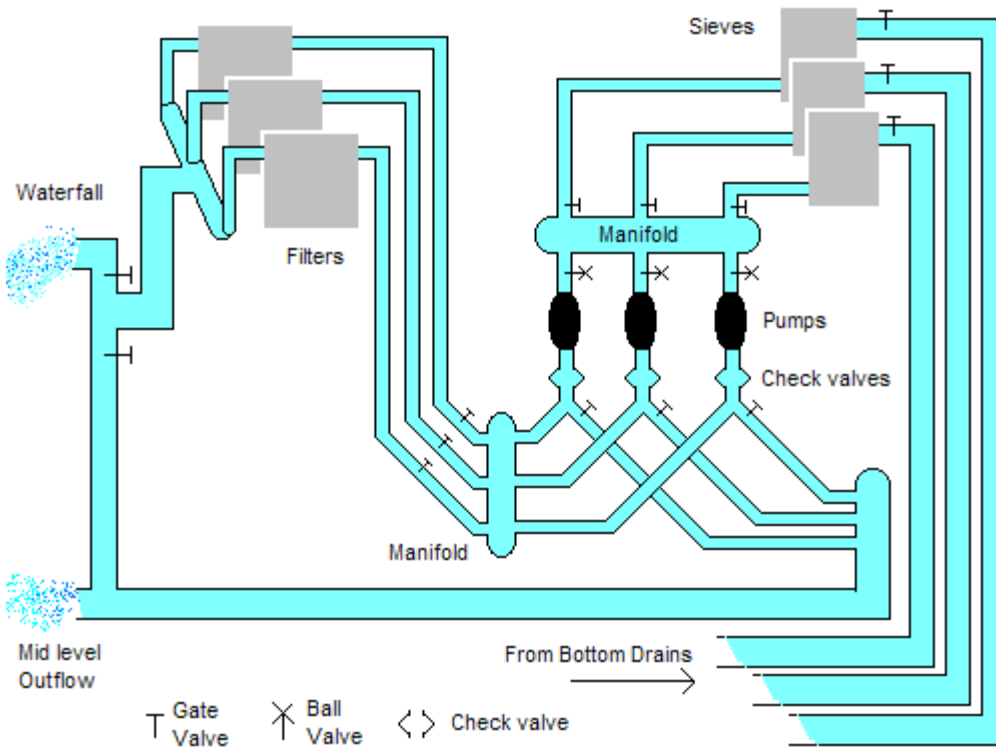
**KOL KOI**  
Pond and Water Garden  
Blackwater Creek Koi Dealer

Josette Costa  
Owner  
www.kolkoi.com  
info@kolkoi.com

2908 Moon Station Road  
Kennesaw, Georgia 30144  
Phone: 678.932.9277  
Fax: 678.659.9904



The diagram below shows the latest version of my planned layout. Where I initially intended to use 3 separate pumps – one for each sieve – I modified the plan to allow the flexibility of choosing how many pumps and/or sieves to use, the key being valve placement and manifold design. In this way I can increase/decrease the flow, choose where to send the flow, or take one of the pumps out of service for repair.



Plumbing parts on site!



Each sieve is connected to a distribution manifold to which 3 pumps are attached. If one of the pumps is shut off – or fails - the other 2 will continue drawing from the 3 sieves, albeit at reduced volume. Likewise, sieves and filters can be shut off, say for cleaning, while the others continue operating. Water is pumped a) to another manifold that selectively directs the flow to 3 large filters above the pond level; or b) to an output pipe some 3 feet below the pond surface (useful when medicating the pond in order to avoid killing the good bacteria in the filters); c) or a combination thereof.

Is this my final plan? Time will tell!



David Boyd conducts club business and introduces the speakers.

**THE POND PROFESSIONAL™**

**Dave A. Jones**  
 (770) 592-2273 office  
 (770) 924-9589 fax  
 (770) 924-1337 home

[www.ThePondProfessional.com](http://www.ThePondProfessional.com)

**Certified Master Pond Contractor**

Water Features      Landscaping      Tree Removal  
 Retaining Walls      General Contracting      Koi & Goldfish

# PONDITAT FOR HUMANITY

July 10, 11 & 12, 2008

Children's Healthcare of Atlanta at Scottish Rite  
<http://www.ponditatforhumanity.com>

Join other professional volunteers to help the IPPCA Top Guns replace a failing koi pond for the Children's Healthcare of Atlanta at Scottish Rite hospital. Work along side Top Gun Contractors from the IPPCA and Atlanta Koi Club members. Help us convert this 18'x12' under filtered shallow mess to a 25'x20' water garden with a 45'x5' rock retaining wall containing a 20' waterfall and loads of other special equipment and options. You don't want to miss the annual Pond and WaterScape Industry's premier humanitarian event.

Club members are needed to work on planting/landscaping as well as helping with meals and running errands.

Please contact Bill Fricke if you are willing to help with this project.

(l-r) Gloria Jones tells the club about the Shrine Hospital project AKC is helping with in July.  
Carl Forss discusses specific types of fish bred by some Japanese breeders.



**Atlanta  
Koi & Pond**  
Breeder & Dealer of Koi Pond Design & Construction Co.  
Imported, healthy, quality Japanese Koi  
Clean, clear, healthy, easy maintain pond  
Pump, filter, U.V., bottom drain, skimmer  
Koi food, medication, water treatment  
11:00AM -- 6:00PM  
THURSDAY THROUGH MONDAY **770-454-6799**  
3291 Shallowford Rd., Chamblee, GA 30341

**Splendor  
Koi &  
Pond**  
[www.splendorkoiandpond.com](http://www.splendorkoiandpond.com)  
**770-321-FISH**  
1552 Rosewood Circle • Marietta, Georgia 30067